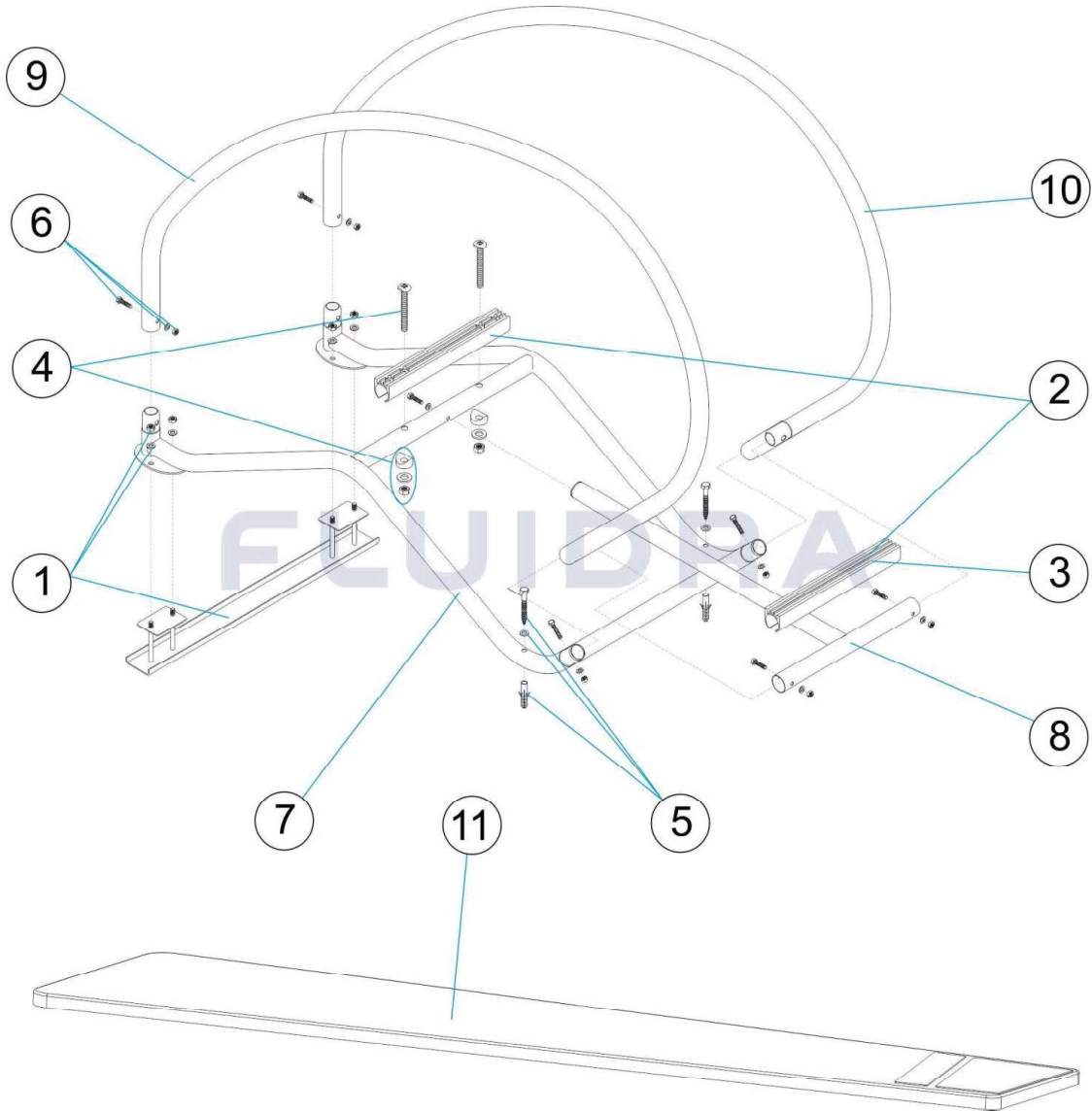


CODE 23199, 23200

DESCRIPTION: DYNAMIC SPRINGBOARD



ENGLISH

POS	CODE	DESCRIPTION	POS	CODE	DESCRIPTION
1	4401021401	ANCHOR FOR DYNAMIC BOARD	7	18541R0500	BOARD BASE
2	4401020701	SUPPORTS	8	18541R0510	BOARD CROSS PIECE BASE STRUCTURE
3	4401020108	FRONT SUPPORT	9	18541R0200	BOARD RIGHT HANDRAIL
4	4401021406	REAR FIXINGS	10	18541R0300	BOARD LEFT HANDRAIL
5	4401021405	ANCHOR	11	* 23199-1000	2 M DYNAMIC PLATFORM
6	4401021403	HANDRAIL FIXINGS	11	* 23200-1000	2,3 M DYNAMIC PLATFORM

CODE **23199, 23200**DESCRIPTION: **DYNAMIC SPRINGBOARD****OBSERVATIONS**

POS	CODE	OBSERVATIONS
11	23199-1000	FOR: 23199
11	23200-1000	FOR: 23200