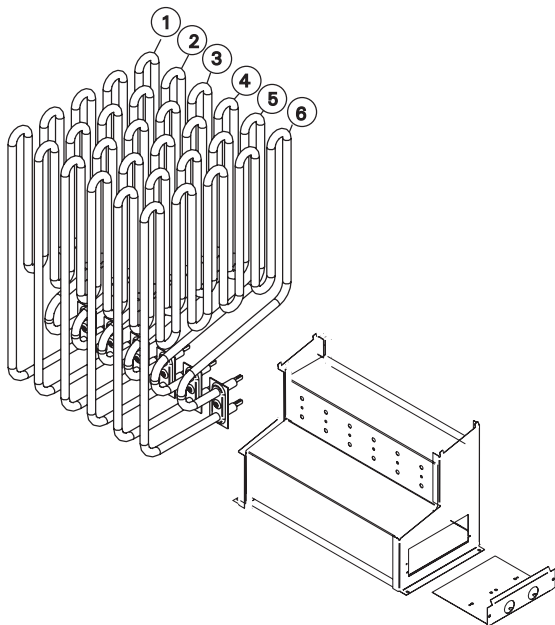
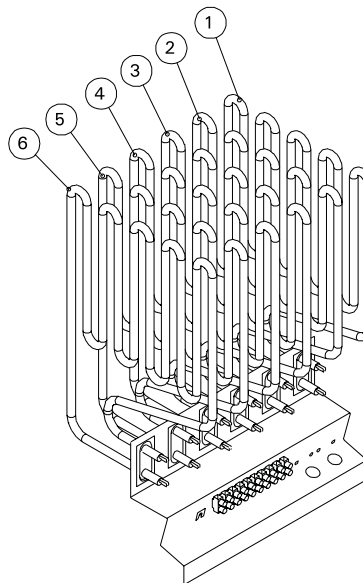


4. SPARE PARTS

HEATER OFEN	HEATING ELEMENT HEIZELEMENT	OUTPUT LEISTUNG	PART NO. TEIL NR.
T9	1, 2, 3, 4, 5, 6	1500 W/230 V	ZSS-110
T10,5	1, 3, 5 2, 4, 6	2000 W/230 V 1500 W/230 V	ZSS-120 ZSS-110



HEATER OFEN	HEATING ELEMENT HEIZELEMENT	OUTPUT LEISTUNG	PART NO. TEIL NR.
K11G	1, 3, 5 2, 4, 6	2150 W/230 V 1500 W/230 V	ZSP-240 ZSS-110
K13,5G	1, 3, 5 2, 4, 6	2000 W/230 V 2500 W/230 V	ZSS-120 ZSP-250
K15G	1, 2, 3, 4, 5, 6	2500 W/230 V	ZSP-250
F10,5	1, 3, 5 2, 4, 6	2000 W/230 V 1500 W/230 V	ZSS-120 ZSS-110
F15	1, 2, 3, 4, 5, 6	2500 W/230 V	ZSP-250
F16,5	1, 3, 5 2, 4, 6	2500 W/230 V 3000 W/230 V	ZSP-250 ZSP-255
F18	1, 2, 3, 4, 5, 6	3000 W/230 V	ZSP-255